

DURMA

Today Tomorrow Forever...

September 2017
Newsletter

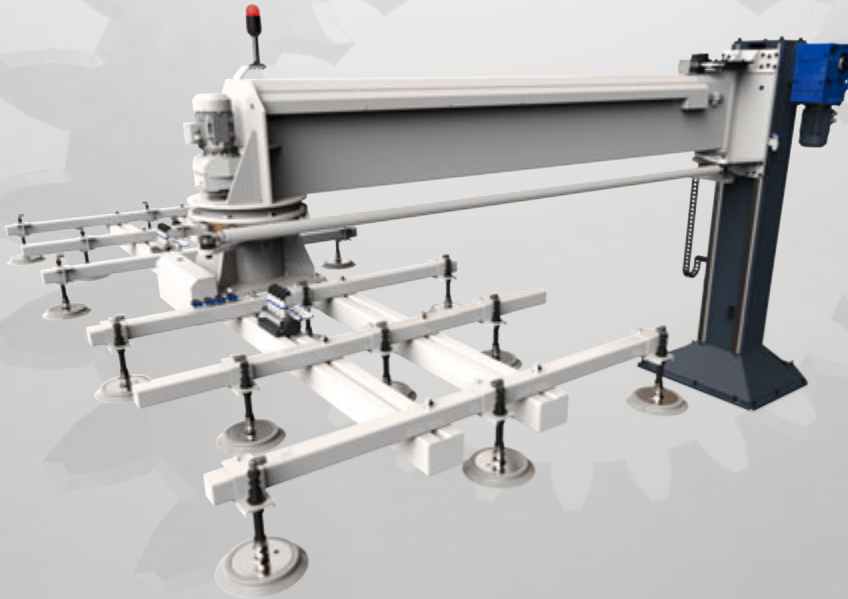
D-LOADER Durma Automatic Loading Arm

General Description

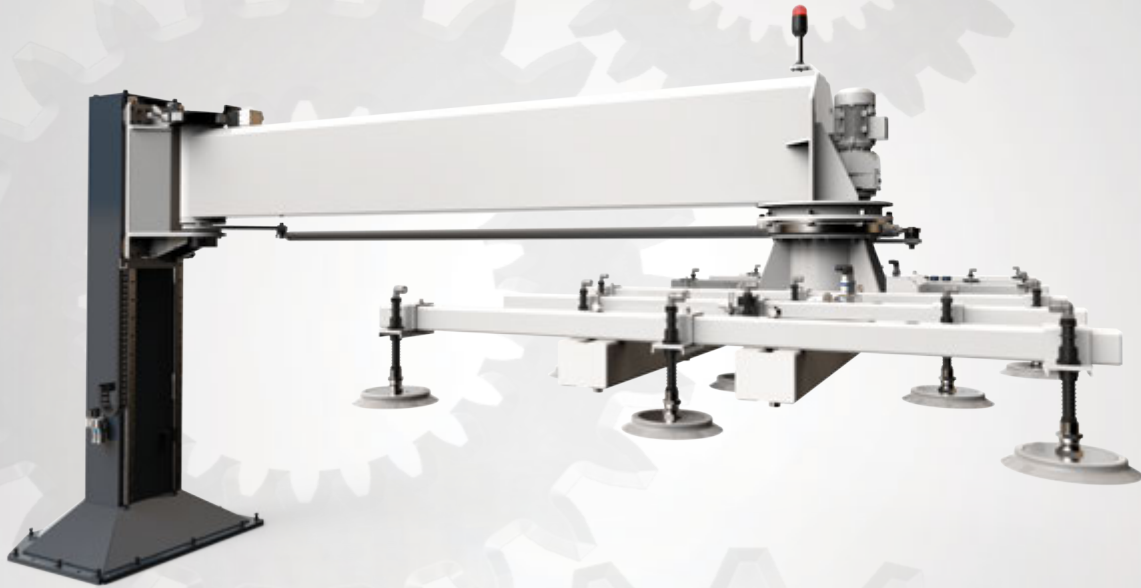
D-ARM is a special design machine for carry the metal sheet from floor level to machine table. Especially used for laser cutting machines.



Lifting systems can handle the sheet from floor level by vacuum pads. Rotation arm move the sheet on table. During this displacement; direction of the sheet not change and keep parallelism according to table.



D-LOADER Automatic Loading Arm



Technical Data	3015	4020
Sheet Length (Min-Max)	500-3000 mm	500-4000 mm
Sheet Width (Min-Max)	500-1500 mm	500-2000 mm
Sheet Thickness	0,5 - 20 mm	0,5 - 25 mm
Max Load	720 kg	1600 kg
Number of Suction Pad	12 pcs.	18 pcs.
Diameter of Suction Pads	210 mm	210 mm
Cycle Time	40 - 50 sec. (depends on loading height)	45 - 60 sec. (depends on loading height)
Machine Dimensions		
Working Area	4200 x 4100 mm h= 2260 mm	5500 x 5400 mm h= 2720 mm
Rotation Angle (max.)	90°	90°
Loading Height (min.)	Floor Level on Pallet	Floor Level on Pallet
Control Unit		
Semi Automatic Safety Sytem	SIEMENS Light Barrier integrated with Laser Cutting Machine	SIEMENS Light Barrier integrated with Laser Cutting Machine
Consumption Values		
Electric Power	3 kW	4 kW
Pressure Air	6 m3/h -- 7 bar	10 m3/h -- 7 bar
Layout		
Loading Position	Can be positioned around Laser Cutting Machines due to customer choices.	Can be positioned around Laser Cutting Machines due to customer choices.